

Agricultural Seating



KAB// Seating










Agricultural Seating

KAB Seating has been designing and manufacturing suspension seating for industrial vehicles since 1968. KAB's expertise in seating was originally grounded in the Construction sector, expanding rapidly to include a wide range of commercial vehicle sectors. Today, KAB Seats are exported worldwide and are fitted as original equipment by many major vehicle manufacturers.

Over the years, KAB has worked closely with vehicle users and has gained knowledge and expertise of users' requirements. We are proud to use our expertise to present a new complete seating solution crafted for users of agricultural vehicles.

Agricultural Vehicle Types

The latest KAB Seating range of air and mechanical suspension seats are suitable for:

-  Vineyard tractors
-  Small agricultural tractors
-  Medium agricultural tractors
-  Large agricultural tractors
-  Telescopic handlers
-  Combine Harvesters
-  Ride on mowers



Key Features

-  One-Touch Height Adjustment
-  Seat Lumbar Support
-  Seat Swivel
-  Cushion Tilt
-  Seat Heater
-  Fore/Aft Isolator
-  Adjustable Damper
-  Cushion Extension
-  Operating Presence Sensor (OPS)
-  Seat Ventilation
-  Height Riser

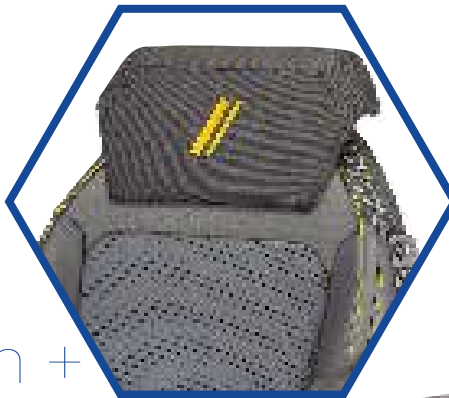


The **New** Generation of KAB Seats

OVERVIEW

Our Sciox seat has been engineered to offer a best value solution with premium durability and sculpted cushions maintaining comfort all day long. Its air suspension system offers the driver protection from harmful vibrations and resulting bodily injury.

The Sciox range has taken inspiration directly from agricultural vehicle users. Feedback has been used to inform the design of the Sciox seat range. Extensive research and testing has been carried out to engineer a complete seating solution for vehicle users.



Premium +

OVERVIEW

The top of the range seat offers vehicle operators an elite level of driving support. The Premium features a progressive variable damping system effectively protecting the operator from injury. Variable heat and ventilation offers comfort and improves operator productivity. Available with silver or coloured highlight stitching to match your branding.



FEATURES

- Air Suspension
- 150mm fore/aft adjustment with integrated isolator
- Progressive variable damper
- Operator presence sensor
- +/-20 degree swivel
- One Touch height adjustment
- Air Lumbar
- Variable 3 stage Heat and Vent
- Cushion tilt and Cushion extension
- Leather and perforated leather trim
- Integrated adjustable armrests and backrest extension
- Optional seat belt kit
- Document Pouch



KAB/Seating



Premium

OVERVIEW

The SCIOX Premium seat shares all of the top of the range features above, but offers a part fabric, part leather trim combination.

SCIOX

Super



Part no. **215932**

OVERVIEW

The Super represents an outstanding level of driving support. The seat offers all of the top-of-the-range variable damping technology, with a heater and mechanical lumbar available as standard. This makes the Super a firm seating option for maintaining driver comfort.

FEATURES

- Air Suspension
- 150mm fore/aft adjustment with integrated isolator
- Progressive variable damper
- Operator presence sensor
- +/-20 degree swivel
- Cushion tilt and Cushion extension
- Heater
- Height Riser
- Mechanical Lumbar
- Two tone contrasting fabric and highlight stitch
- Integrated armrests and backrest extension
- Optional seat belt kit
- Document Pouch



SCIOX

Super High



Part no. **215934**

OVERVIEW

The Sciox Super High is a high back seating option, suitable for Spreader and Sprayer vehicles. The seat offers a variable damping mechanism which benefits the driver by protecting them from harmful vibrations and a heater which helps to improve driver concentration and productivity.

FEATURES

- Air Suspension
- 150mm fore/aft adjustment with integrated isolator
- Progressive variable damper
- Operator presence sensor
- Heater
- Cushion tilt and Cushion extension
- Height Riser
- Mechanical Lumbar
- Two tone contrasting fabric and highlight stitch
- Integrated armrests and headrest
- Optional seat belt kit
- Document Pouch



SCIOX

Comfort



Part no. **215931**

OVERVIEW

The Comfort constitutes a mid-range, affordable seat option whilst optimising operator comfort. The seat is suitable for a wide range of medium and large agriculture vehicles.

FEATURES

- Air Suspension
- 150mm fore/aft adjustment with integrated isolator
- Cushion tilt and Cushion Extension
- Height Riser
- Standard damper
- Operator presence sensor
- +/-20 degree swivel
- Cushion tilt and extension
- Black Fabric
- Optional armrests, backrest extension and seat belt
- Document Pouch



SCIOX

Base



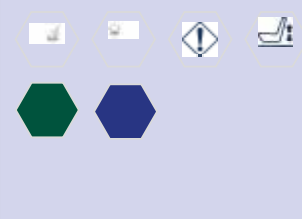
Part no. **215930**

OVERVIEW

The Base is the entry level seat from KAB's Sciox seats, combining comfort and excellent value for money for agricultural vehicle users.

FEATURES

- Air Suspension
- 180mm fore/aft adjustment
- Standard damper
- Operator presence sensor
- Height Riser
- Black Fabric and PVC
- Optional armrests, headrest and seat belt kit
- Document Pouch



KAB// Mid Range

Air 85/E6

- Air 85 low frequency suspension
- Low back E6 upper
- Optional 2" seat belt
- 175mm suspension stroke
- 75mm integral height adjustment
- Driver weight range 50-120kg
- 12v integral compressor
- One touch riser
- 0-10-20° swivel
- Fore and aft isolator
- Mechanical lumbar



Mechanical 81/E1

- Mechanical 81 suspension
- Mid back E1 upper
- Optional 2" seat belt
- 175mm suspension stroke
- 75mm integral height adjustment
- Driver weight range 50-120kg
- Swivel
- Fore and aft isolator
- Mechanical lumbar



Mechanical 811

- Mechanical 81 suspension
- Mid back T1 upper
- Optional 2" seat belt
- 175mm suspension stroke
- 75mm integral height adjustment
- Driver weight range 50-120kg
- Seat belt
- Sensor Pad
- Mechanical lumbar



Air 15/U4 Airmaster

- Air 15 suspension
- Low back U4 upper
- Optional 2" recoil seat belt
- 150mm suspension stroke
- 70mm integral height adjustment
- Driver weight range 50-120kg
- 12v integral compressor



KAB offers a wide range of durable suspension seats maintaining high quality and performance at an affordable price.

Mechanical 111

- Mechanical 11 suspension
- Height adjustment
- Variable upstop
- Back adjustment
- Armrests
- Sliderails
- Suspension Cover
- Optional Backrest extension
- Fabric trim
- Optional seat belt



Mechanical 81/E6

- Mechanical 81 suspension
- Low back E6 upper
- Optional 2" seat belt
- 175mm suspension stroke
- 75mm integral height adjustment
- Driver weight range 50-120kg
- Fore and aft isolator
- Mechanical lumbar



Air 15/E6

- Air 15 suspension
- Low back E6 upper
- Optional 2" recoil seat belt
- 150mm suspension stroke
- 70mm integral height adjustment
- Driver weight range 50-120kg
- 12v integral compressor



Mechanical 11/P6

- Mechanical 11 suspension
- Height adjustment
- Variable upstop
- Back adjustment
- Integrated Armrests
- Sliderails
- Suspension Cover
- Optional Backrest extension
- PVC trim
- Optional seat belt



KAB//Classic

KAB seats are available from our KAB Classic range, which offers all-round comfort from a classic, trusted seat.

Mechanical XH2/U4 Fieldmaster

- Mechanical XH2 suspension
- Low back U4 upper
- Optional 2" recoil seat belt
- 90-160mm suspension stroke
- 70mm integral height adjustment
- Driver weight range 50-120kg



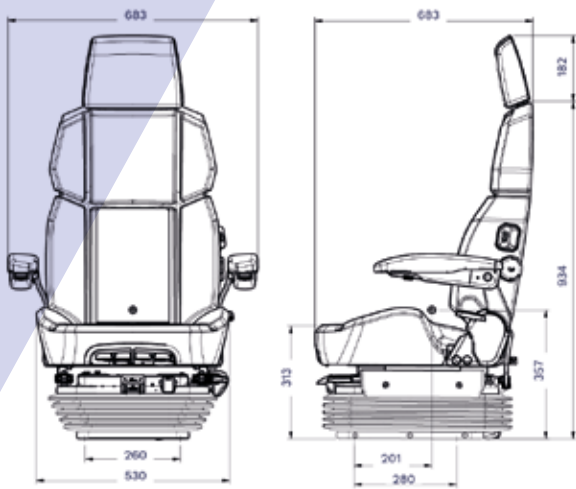
Mechanical XH2/P2

- Mechanical XH2 suspension
- Low back P2 upper
- Optional 2" recoil seat belt
- 90-160mm suspension stroke
- 70mm integral height adjustment
- Driver weight range 50-120kg



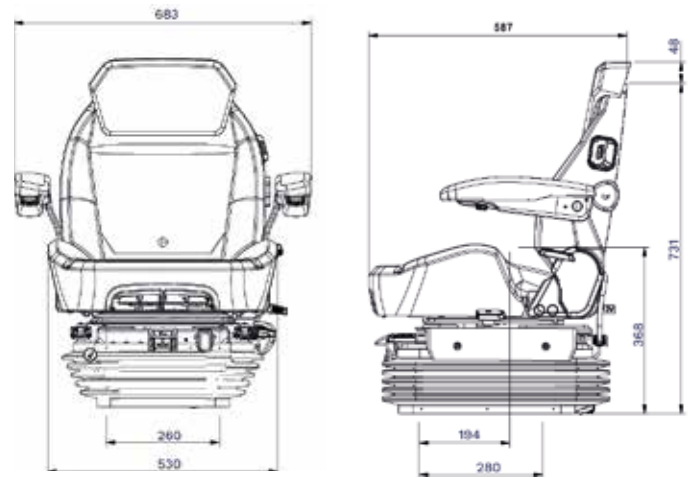
Technical Specifications

SCIOX High Back

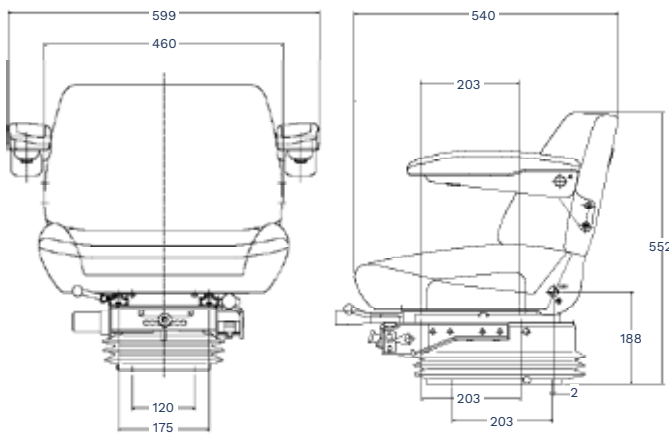


KAB XH2/U4

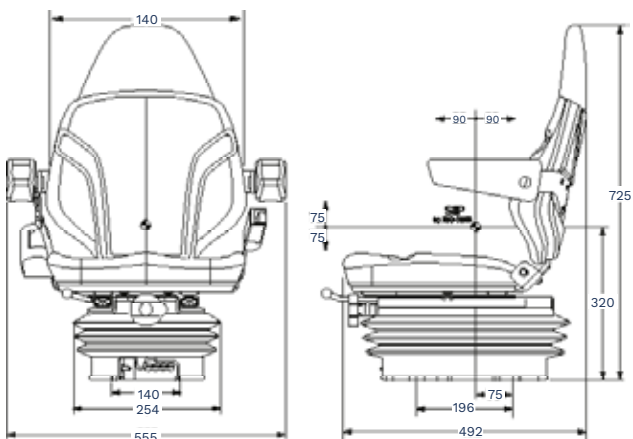
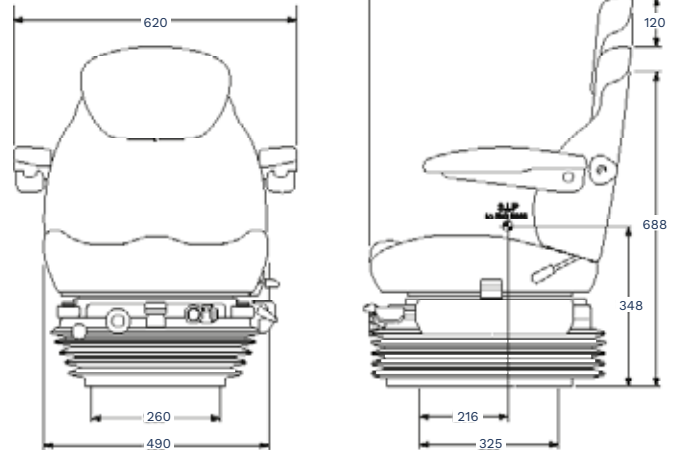
SCIOX Low Back



KAB 85/E6



KAB 11/P6



For further access to KAB product diagrams please contact your nearest KAB representative

Accessories and Technical specs

BUILD YOUR NEW KAB SEAT

Step 1

Seat



Step 2

Installation kit

Console
Bracket



Floor
Bracket



Electrical
Interface



Step 3

Seat Installed in tractor



Fitting kits are available for some types of vehicles.

Please contact your nearest KAB representative for more information.

Agricultural Seating Standard Features and Optional Extras

Model	Part Number	Trim	Air Suspension	Mechanical Suspension	12v Integral Compressor	One Touch Riser	Height Adjustment	Variable Upstop	Variable Damper	Back Angle Adjustment	Lumbar Support	Armrests	20/20 Swivel	Sliderails	Fore/Aft Isolator	Backrest Extension or Headrest	Fabric or Fabric/PVC Combination Trim	PVC Trim	Leather Trim	Seat Belt	Tractor Type	Heaters	Air Ventilation
Premium																							
SCIOX Premium +	TBC	Black Leather	S		S	S	S		S	S	S	S	S	S	S	S			S		M/L	S	S
SCIOX Premium	215933	Black leather and fabric with highlight stitch	S		S	S	S		S	S	S	S	S	S	S	S	S		S		M/L	S	S
SCIOX Super	215932	Black and grey fabric with highlight stitch	S		S		S		S	S	S	S	S	S	S	S	S				M/L	S	
SCIOX Super High	215934	Black and grey fabric with highlight stitch	S		S		S		S	S	S	S	S	S	S	S	S				M/L	S	
SCIOX Comfort	215931	Black fabric and PVC	S		S		S						S		S		S				M/L		
SCIOX Base	215930	Black fabric and PVC	S		S		S							S			S				M/L		
Mid-Range																							
15/U4 Airmaster	198031	Square Fabric	S		S		S					S		S			S				M		
811	171884	Krakatoa Fabric		S			S	S		S	S			S			S			S	L		
111	188115	Storm and Nimbus Fabric		S			S	S		S				S			S				M/L		
85/E6	183783	Two tone fabric	S		S	S	S	S		S	S	S	S	S	S	S	S				L		
81/E1	183782	Two tone fabric		S			S	S		S	S	S	S	S	S	S	S				L		
81/E6	183785	Two tone fabric		S			S	S		S	S	S		S	S	S	S				L		
11/P6	199388	PVC		S			S	S		S			S					S			S/M		
15/E6	212350	Two tone fabric	S		S		S					S					S				M/L		
Classic																							
XH2/P2	159110	Black PVC		S			S	S						S		S		S			S/M		
XH2/U4 Fieldmaster	159188	Storm Fabric		S			S	S				S		S			S				S/M		

S = Standard feature

Other options are available please contact your KAB dealer for more information.

Tractor Type guide

S = Small M = Medium L = Large

KAB//Seating

Health and Safety

It is important that drivers of work vehicles are fully protected from harmful vibrations. KAB seats help to reduce the effect of these on the human body. Careful seat selection is important and through consultation with KAB Seating's network of Authorised distributors the appropriate seat choice can be made to fit most popular brands.

Installation

Care should be taken to ensure a correct installation is made and the seat suspension movements and adjustments are free from obstructions in the cab area.

Maintenance

KAB Seating provides a full range of service parts to ensure seats can be maintained properly, key wear items such as shock absorbers, seat cushions and air valves should be replaced on a regular basis in accordance with the type of usage, amount of usage and environmental factors.

Regular removal of dust and dirt from the seat and cabin will improve the longevity of the seat.

KAB UK

Kab Seating Ltd - Northampton

T +44 (0) 1604 790500

E infouk@cvgrp.com

www.kabseating.com

KAB Australia

Kab Seating Pty. Ltd - Brisbane

T +61 (0) 7 3344 0500

E australia.brisbane@cvgrp.com

KAB Sweden

Kab Seating AB - Stockholm

T +46 (0) 8 554 427 00

E infosweden@cvgrp.com

CVG China

CVG Vehicle Components - Shanghai

T +86 21 5958 5801

E infochina@cvgrp.com

KAB Belgium

ab Seating SA - Saintes

T +32 (0) 2 367 13 10

E infobelgium@cvgrp.com

CVG National Seating USA

Vonore, Tennessee

T +1 800 354 9621

E infoamerica@cvgrp.com

CVG World Headquarters

New Albany, Ohio, USA

Tel: (614) 289-5360

E info@cvgrp.com

www.cvgrp.com

www.kabseating.com

 @KABSeating

 KABSeatingUK

Distributor



KAB Seating is part of the Commercial Vehicle Group, a diverse global group of companies specialising in seating, wiper systems wire harnessing and electrical devices and trim.